

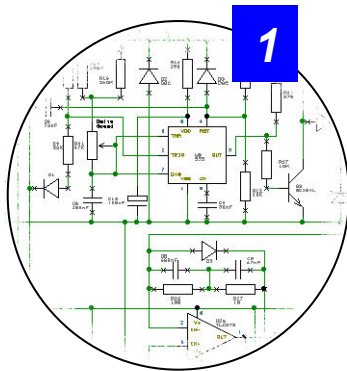
“5 Easy Steps on How to Use PCB Artist”

- A. PCB Artist is a user friendly, fully integrated, schematics capture & PCB layout tool that you will find easy to use.
- B. You can download PCB Artist and install the product at no charge and start designing your PCB design almost immediately.
- C. Once complete, your files are saved to your computer, or you can upload and send to us for order placement.
- D. PCB Artist has been specially developed so as to require no formal training or in-depth experience with PCB layout tools.

There are tutorials to get you started, and you will be creating your own designs faster than you ever imagined.

Here's how it works:

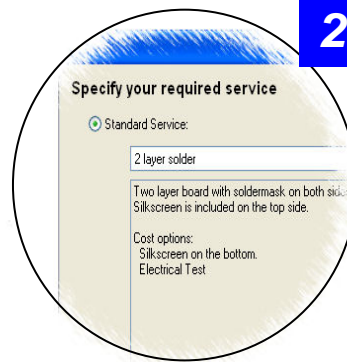
Once you download and install PCB Artist software from our website you can start a new design immediately either by creating a Schematic and transferring this to PCB Layout, or by going straight to PCB Layout to start your new design



Design the Circuit

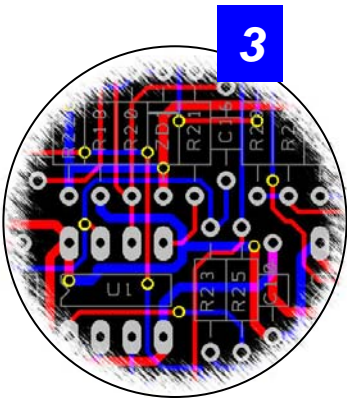
PCB Artist includes an integrated Schematics Capture tool that you will find easy to use. The chances are you will be able to start using PCB Artist Schematics immediately, but if not we have included an easy to follow tutorial.

PCB Artist includes a comprehensive library of parts and you may also create your own library components



Define the PCB

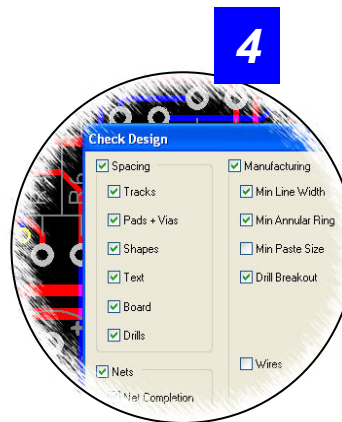
You may start by creating the schematics and then transfer to PCB, or if you prefer you can start immediately in PCB Layout. A new PCB design initiates wizards to define the parameters of the PCB, e.g. layers, track sizes, quantities, delivery times, etc.



Layout the PCB

Just like Schematics, PCB Layout is simple to understand and use.

PCB Layout includes Autoplacement, AutoRouting, and backwards and forwards design annotation to/from Schematics plus integrity checks. You can generate and print parts lists. You can use the standard library and/or generate your own parts.



Check the PCB

PCB Artist Design Rule Checking includes design spacing rules, incomplete nets and connection checks and basic manufacturing checks with printed reports. This ensures we receive error free design data to manufacture your board (s).



You submit the PCB design data and order to us

On completion of your PCB design you are able to submit your board layout and order from us electronically. The customer details page gives us all the information we need to process your valued order.